

# Wafer Cassette Inspection System

Wafer cassette inspection system

## FSM Series

“FSM” Series



### Features

- Compatible with FOUP/FOSB/OC from various makers.  
Inspection available for color cassette and for variable wafer size.
- 25M pixel camera with Seiya Original Optical Engine , enables measurement with super High Resolution Images .
- Meet Fastest throughput in the market from large field of view with fast processing .

~Customized system is available ~

FOR SEMICONDUCTOR

# New Standard of Inspection

## 【Overview】

Measures outer dimension of FOUP/FOSB/OC.

Inspect and measures top flange , side forklift flange , wafer loading step pitch and registration pin hole .

## 【Features】

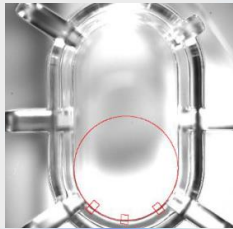
### High Resolution

25M pixel camera  
Pixel pitch  $6\mu\text{m}/\text{pix}$



### High throughput

Imaging with large  
Field of view optics for  
Fast inspection.



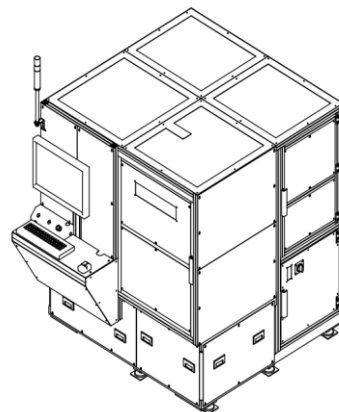
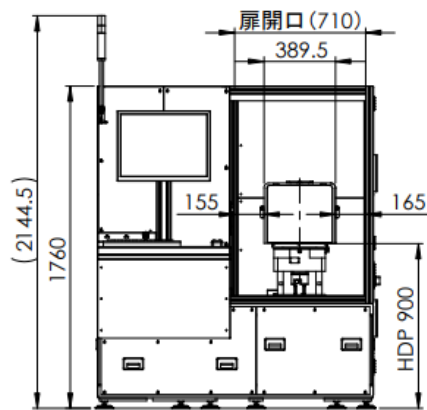
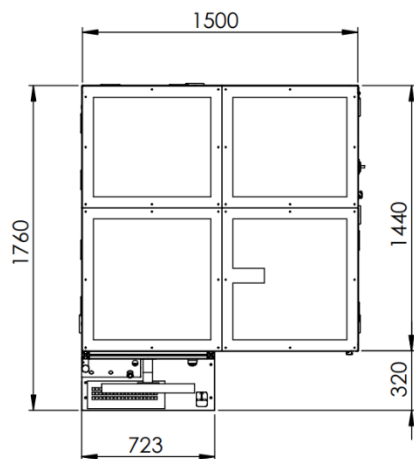
## 【Specification】

Types for cassette : FOUP/FOSB/OC

※Let us know the details of Cassette for inspection

Loading : Manual ( By operator )

Automatic Door Opener equipped in the system .



株式会社 **清和光学製作所**

【お問合せ先】E-mail: [sales@seiwaopt.co.jp](mailto:sales@seiwaopt.co.jp)

本社	: 〒164-0013 東京都中野区弥生町4-12-17	TEL:03-3383-6301/FAX:03-3383-6304
上野原事業所	: 〒409-0112 山梨県上野原市上野原8154-41	TEL:0554-63-5211/FAX:0554-63-5213
関西事業所	: 〒573-0128 大阪府枚方市津田山手2-17-10	TEL:072-808-0550/FAX:072-808-0650
長野事業所	: 〒399-0737 長野県塩尻市大門八番町9-3	TEL:0263-51-0710/FAX:0263-51-0718
福岡営業所	: 〒813-0042 福岡県福岡市東区舞松原1-12-10	TEL:092-410-8616/FAX:092-410-8617

<http://www.seiwaopt.co.jp>

